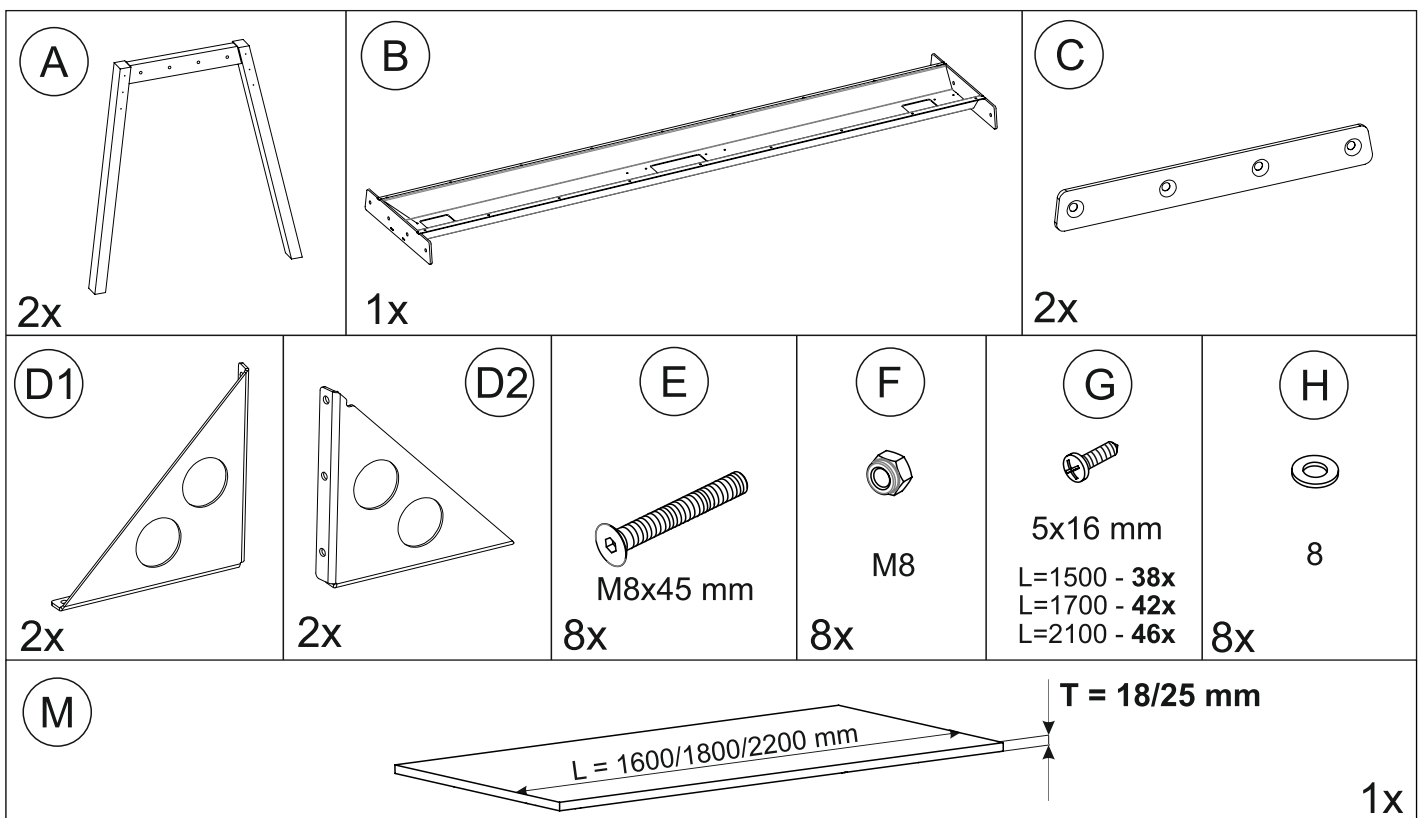
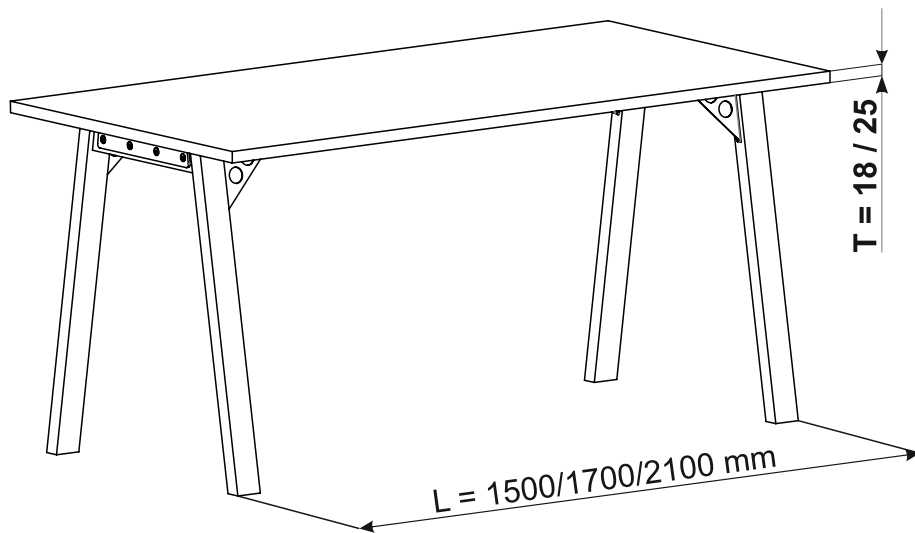


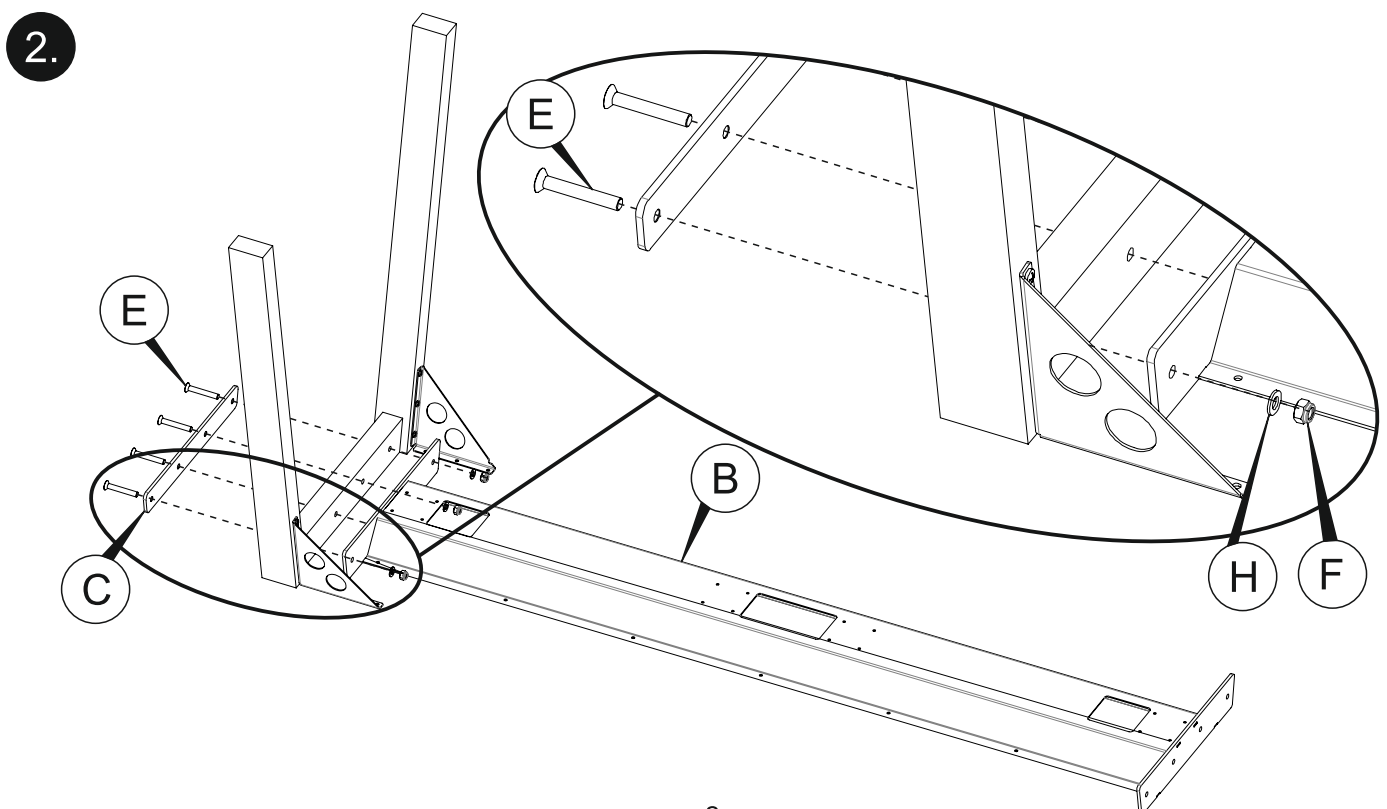
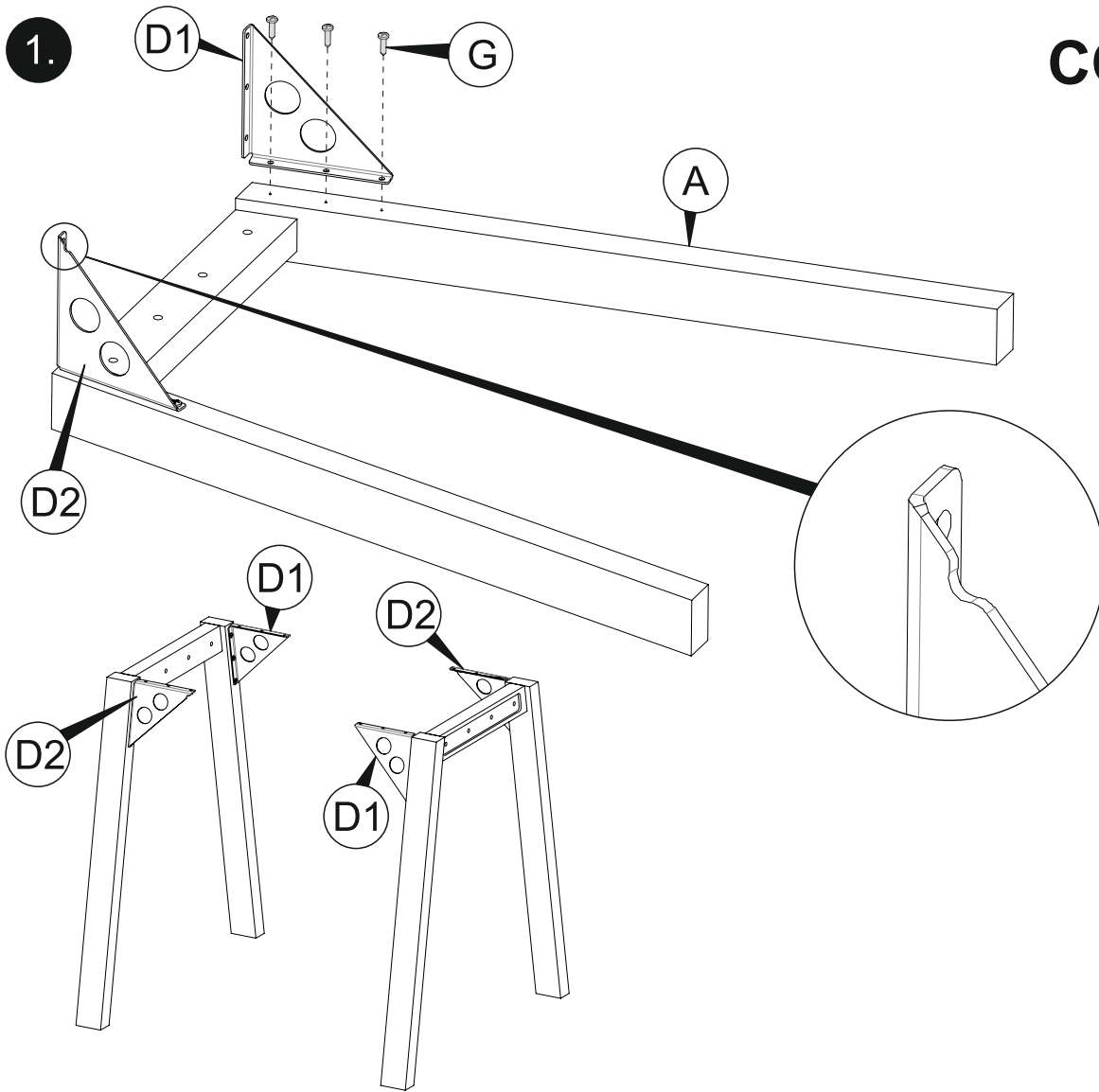
# Rim

# CONNECT

CO 5601.1500, CO 5601.1700, CO 5601.2100  
 CO 5602.1500, CO 5602.1700, CO 5602.2100  
 CO 5603.1500, CO 5603.1700, CO 5603.2100

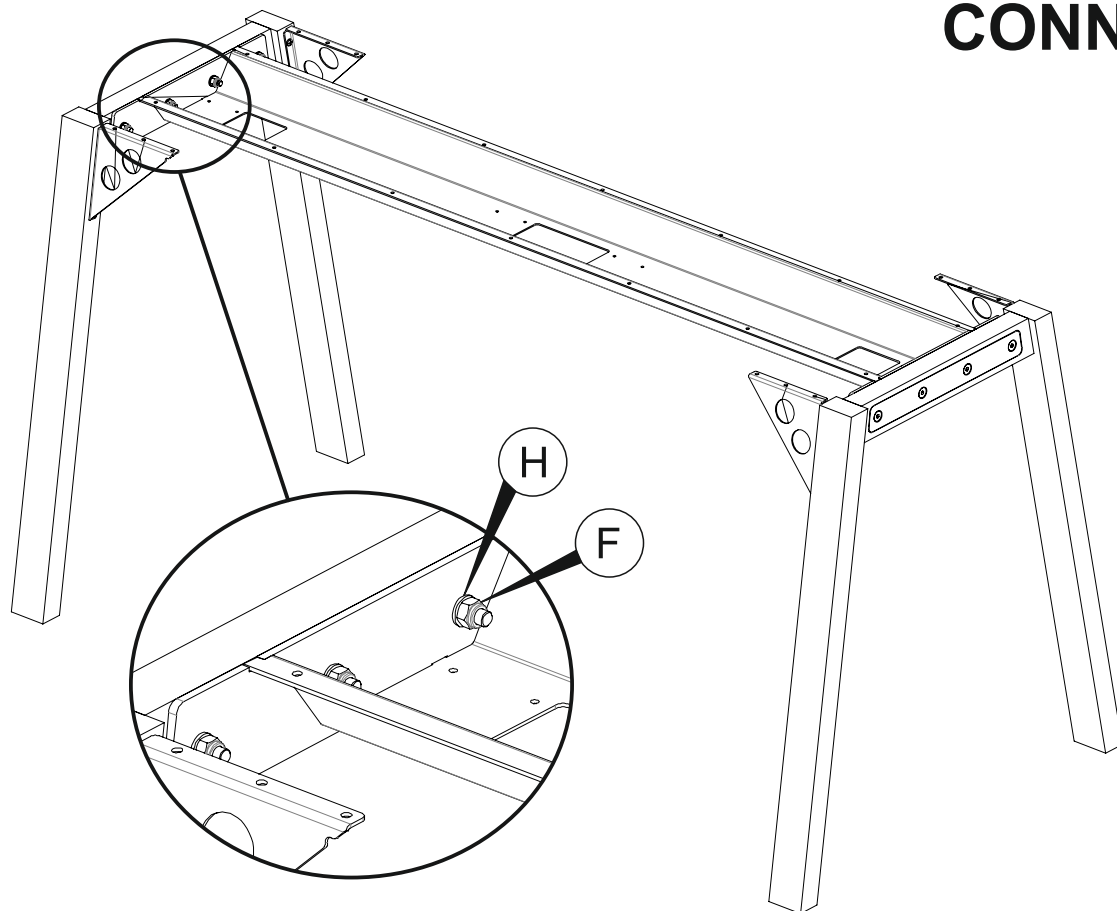


# CONNECT

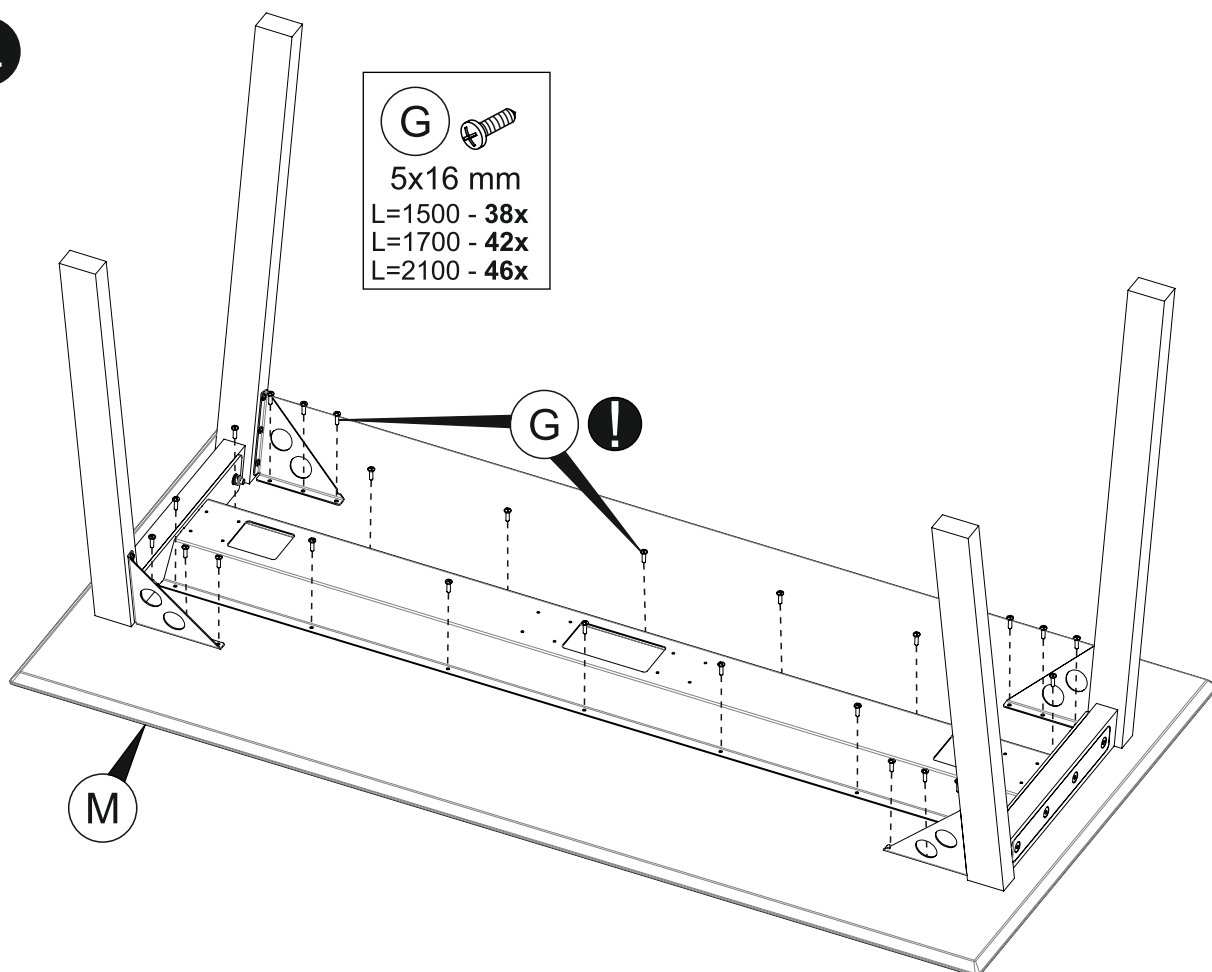


3.

# CONNECT



4.



# Rim

# CONNECT

CO 5603.1500, CO 5603.1700, CO 5603.2100

